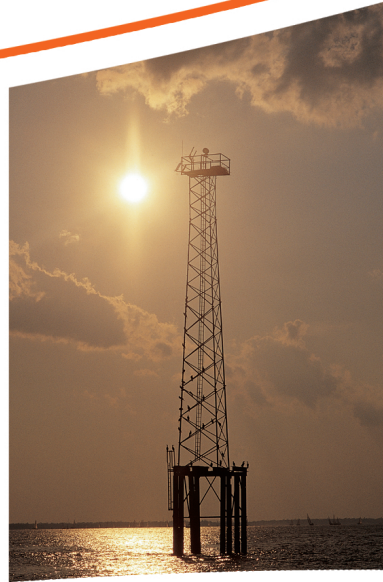
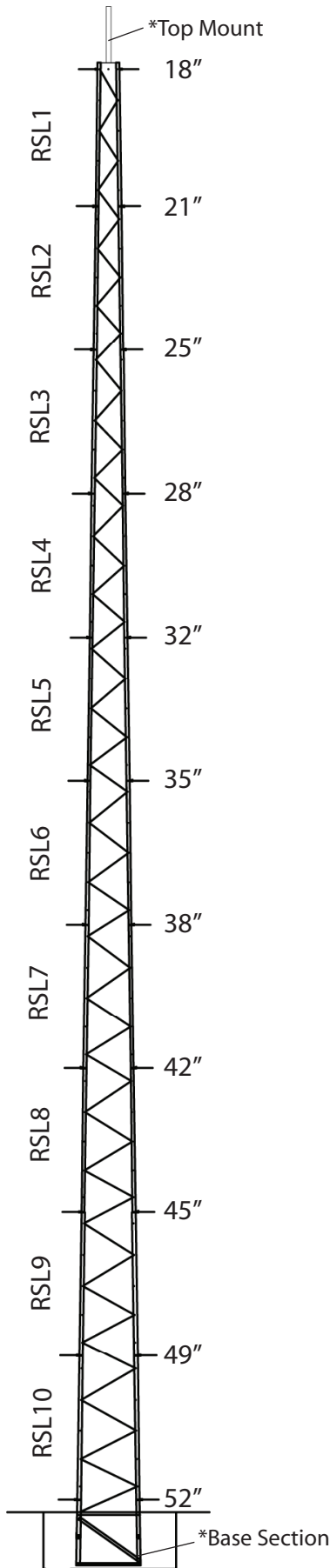


SELF-SUPPORTING TOWERS





Section P/N	RSL10	RSL9	RSL8	RSL7	RSL6	RSL5	RSL4	RSL3	RSL2	RSL1
Length	10'-0"	10'-0"	10'-0"	10'-0"	10'-0"	10'-0"	10'-0"	10'-0"	10'-0"	10'-0"
Legs P/N	(1) SLLE19 (2) SLLE20	(1) SLLE17 (2) SLLE18	(1) SLLE15 (2) SLLE16	(1) SLLE13 (2) SLLE14	(1) SLLE11 (2) SLLE12	(1) SLLE09 (2) SLLE10	(1) SLLE07 (2) SLLE08	(1) SLLE05 (2) SLLE06	(1) SLLE03 (2) SLLE04	(1) SLLE01 (2) SLLE02
Braces P/N	(15) SLDG10	(15) SLDG09	(15) SLDG08	(15) SLDG07	(15) SLDG06	(15) SLDG05	(15) SLDG04	(15) SLDG03	(15) SLDG02	(15) SLDG01



RSL

RSL

GENERAL USE

The ROHN RSL is a light weight self-supporting tower designed for use in broadband, public safety and security applications. The RSL reaches above line-of-site obstacles such as tree tops, hilly terrain and buildings. If your site is remote or rugged, the RSL is shipped knocked down to reduce shipping, cost and time.

FEATURES

- Available in heights from 20' - 100'
- High strength angle legs
- Aerodynamic tubular bracing
- Easy to transport and assemble
- Ships in 10' sections or knocked-down
- Tower material is hot-dip galvanized

* Optional items are available and may be ordered separately:

- Step bolts
- Safety device
- Top mount kits
- Anti-Climb Panels (for #10 section)
- Dish Mount
- Side Arm



20' Towers

<p>Kit: RSL020L102</p>		<p>Kit: RSL020M304</p>		<p>Kit: RSL020M506</p>		<p>Kit: RSL020H708</p>		<p>Kit: RSL020H910</p>	
Base	RSLBA02	Base	RSLBA04	Base	RSLBA06	Base	RSLBA08	Base	RSLBA10
Top	RSLTA01	Top	RSLTA03	Top	RSLTA05	Top	RSLTA07	Top	RSLTA09
Weight	317 lbs.	Weight	327 lbs.	Weight	302 lbs.	Weight	399 lbs.	Weight	477 lbs.
Fastest Mile [3-sec Gust]	E.P.A.	Fastest Mile [3-sec Gust]	E.P.A.	Fastest Mile [3-sec Gust]	E.P.A.	Fastest Mile [3-sec Gust]	E.P.A.	Fastest Mile [3-sec Gust]	E.P.A.
70 [85]	70	70 [85]	80	70 [85]	80	70 [85]	80	70 [85]	80
75 [90]	61	75 [90]	74	75 [90]	80	75 [90]	80	75 [90]	80
80 [100]	53	80 [100]	65	80 [100]	68	80 [100]	80	80 [100]	80
90 [110]	42	90 [110]	48	90 [110]	50	90 [110]	80	90 [110]	80
100 [120]	33	100 [120]	35	100 [120]	36	100 [120]	65	100 [120]	68

30' Towers

<p>Kit: RSL030L103</p>		<p>Kit: RSL030M305</p>		<p>Kit: RSL030M406</p>		<p>Kit: RSL030H608</p>		<p>Kit: RSL030H810</p>	
Base	RSLBA03	Base	RSLBA05	Base	RSLBA06	Base	RSLBA08	Base	RSLBA10
Top	RSLTA01	Top	RSLTA03	Top	RSLTA04	Top	RSLTA06	Top	RSLTA08
Weight	440 lbs.	Weight	445 lbs.	Weight	450 lbs.	Weight	551 lbs.	Weight	687 lbs.
Fastest Mile [3-sec Gust]	E.P.A.	Fastest Mile [3-sec Gust]	E.P.A.	Fastest Mile [3-sec Gust]	E.P.A.	Fastest Mile [3-sec Gust]	E.P.A.	Fastest Mile [3-sec Gust]	E.P.A.
70 [85]	70	70 [85]	80	70 [85]	80	70 [85]	80	70 [85]	80
75 [90]	61	75 [90]	74	75 [90]	78	75 [90]	80	75 [90]	80
80 [100]	53	80 [100]	65	80 [100]	64	80 [100]	73	80 [100]	80
90 [110]	41	90 [110]	45	90 [110]	43	90 [110]	55	90 [110]	80
100 [120]	30	100 [120]	29	100 [120]	28	100 [120]	42	100 [120]	60



40' Towers

Kit: RSL040L104

Base	RSLBA04
Top	RSLTA01
Weight	585 lbs.
Fastest Mile [3-sec Gust]	E.P.A.
70 [85]	54
75 [90]	44
80 [100]	36
90 [110]	24
100 [120]	15

Kit: RSL040M205

Base	RSLBA05
Top	RSLTA02
Weight	590 lbs.
Fastest Mile [3-sec Gust]	E.P.A.
70 [85]	63
75 [90]	52
80 [100]	43
90 [110]	29
100 [120]	19

Kit: RSL040M407

Base	RSLBA07
Top	RSLTA04
Weight	639 lbs.
Fastest Mile [3-sec Gust]	E.P.A.
70 [85]	80
75 [90]	75
80 [100]	62
90 [110]	40
100 [120]	25

Kit: RSL040H609

Base	RSLBA09
Top	RSLTA06
Weight	788 lbs.
Fastest Mile [3-sec Gust]	E.P.A.
70 [85]	80
75 [90]	80
80 [100]	69
90 [110]	52
100 [120]	40

Kit: RSL040H710

Base	RSLBA10
Top	RSLTA07
Weight	876 lbs.
Fastest Mile [3-sec Gust]	E.P.A.
70 [85]	80
75 [90]	80
80 [100]	80
90 [110]	75
100 [120]	49

50' Towers

Kit: RSL050L105

Base	RSLBA05
Top	RSLTA01
Weight	735 lbs.
Fastest Mile [3-sec Gust]	E.P.A.
70 [85]	54
75 [90]	44
80 [100]	36
90 [110]	24
100 [120]	15

Kit: RSL050M206

Base	RSLBA06
Top	RSLTA02
Weight	742 lbs.
Fastest Mile [3-sec Gust]	E.P.A.
70 [85]	43
75 [90]	34
80 [100]	26
90 [110]	15
100 [120]	6

Kit: RSL050M307

Base	RSLBA07
Top	RSLTA03
Weight	786 lbs.
Fastest Mile [3-sec Gust]	E.P.A.
70 [85]	67
75 [90]	54
80 [100]	44
90 [110]	30
100 [120]	16

Kit: RSL050H509

Base	RSLBA09
Top	RSLTA05
Weight	938 lbs.
Fastest Mile [3-sec Gust]	E.P.A.
70 [85]	80
75 [90]	73
80 [100]	61
90 [110]	44
100 [120]	30

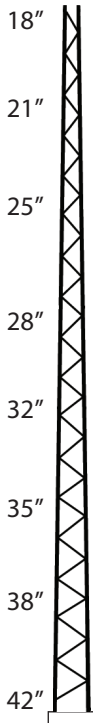
Kit: RSL050H610

Base	RSLBA10
Top	RSLTA06
Weight	1028 lbs.
Fastest Mile [3-sec Gust]	E.P.A.
70 [85]	80
75 [90]	76
80 [100]	66
90 [110]	49
100 [120]	38

Kit: RSL060L106		Kit: RSL060M207		Kit: RSL060M308		Kit: RSL060H409		Kit: RSL060H510	
Base	RSLBA06	Base	RSLBA07	Base	RSLBA08	Base	RSLBA09	Base	RSLBA10
Top	RSLTA01	Top	RSLTA02	Top	RSLTA03	Top	RSLTA04	Top	RSLTA05
Weight	914 lbs.	Weight	931 lbs.	Weight	1026 lbs.	Weight	1086 lbs.	Weight	1217 lbs.
Fastest Mile [3-sec Gust]	E.P.A.	Fastest Mile [3-sec Gust]	E.P.A.	Fastest Mile [3-sec Gust]	E.P.A.	Fastest Mile [3-sec Gust]	E.P.A.	Fastest Mile [3-sec Gust]	E.P.A.
70 [85]	23	70 [85]	40	70 [85]	60	70 [85]	78	70 [85]	80
75 [90]	15	75 [90]	31	75 [90]	48	75 [90]	67	75 [90]	68
80 [100]	9	80 [100]	24	80 [100]	38	80 [100]	54	80 [100]	56
90 [110]	2	90 [110]	13	90 [110]	21	90 [110]	35	90 [110]	40
100 [120]	-	100 [120]	5	100 [120]	11	100 [120]	21	100 [120]	27

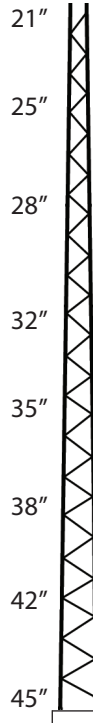


70' Towers



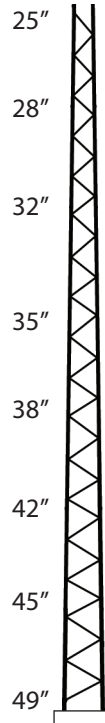
Kit: RSL070L107

Base	RSLBA07
Top	RSLTA01
Weight	1096 lbs.
Fastest Mile [3-sec Gust]	E.P.A.
70 [85]	23
75 [90]	15
80 [100]	9
90 [110]	-
100 [120]	-



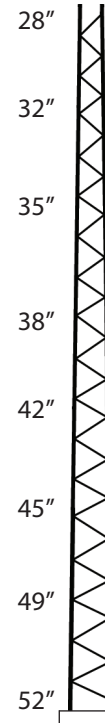
Kit: RSL070M208

Base	RSLBA08
Top	RSLTA02
Weight	1141 lbs.
Fastest Mile [3-sec Gust]	E.P.A.
70 [85]	38
75 [90]	29
80 [100]	21
90 [110]	8
100 [120]	-



Kit: RSL070M309

Base	RSLBA09
Top	RSLTA03
Weight	1263 lbs.
Fastest Mile [3-sec Gust]	E.P.A.
70 [85]	58
75 [90]	46
80 [100]	36
90 [110]	21
100 [120]	11



Kit: RSL070H410

Base	RSLBA10
Top	RSLTA04
Weight	1361 lbs.
Fastest Mile [3-sec Gust]	E.P.A.
70 [85]	74
75 [90]	60
80 [100]	48
90 [110]	26
100 [120]	13



80' Towers

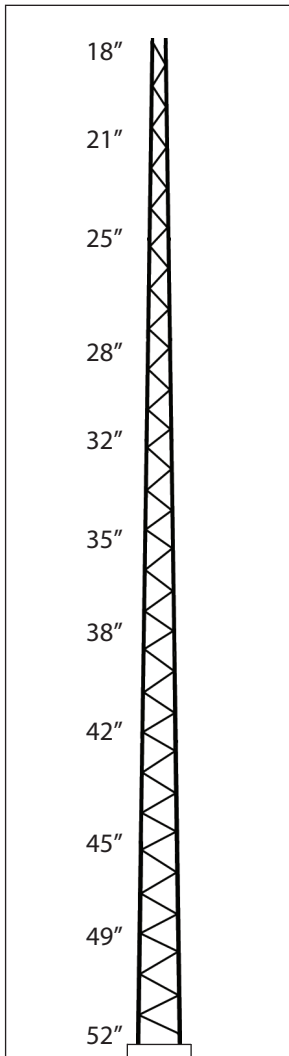
Kit: RSL080L108		Kit: RSL080M209		Kit: RSL080H310	
Base	RSLBA08	Base	RSLBA09	Base	RSLBA10
Top	RSLTA01	Top	RSLTA02	Top	RSLTA03
Weight	1322 lbs.	Weight	1422 lbs.	Weight	1527 lbs.
Fastest Mile [3-sec Gust]	E.P.A.	Fastest Mile [3-sec Gust]	E.P.A.	Fastest Mile [3-sec Gust]	E.P.A.
70 [85]	21	70 [85]	36	70 [85]	52
75 [90]	14	75 [90]	26	75 [90]	39
80 [100]	7	80 [100]	19	80 [100]	26
90 [110]	-	90 [110]	6	90 [110]	10
100 [120]	-	100 [120]	-	100 [120]	-

90' Towers

Kit: RSL090L109		Kit: RSL090H210	
Base	RSLBA09	Base	RSLBA10
Top	RSLTA01	Top	RSLTA02
Weight	1563 lbs.	Weight	1642 lbs.
Fastest Mile [3-sec Gust]	E.P.A.	Fastest Mile [3-sec Gust]	E.P.A.
70 [85]	19	70 [85]	33
75 [90]	12	75 [90]	23
80 [100]	5	80 [100]	13
90 [110]	-	90 [110]	-
100 [120]	-	100 [120]	-



100' Towers



Kit: RSL100S110

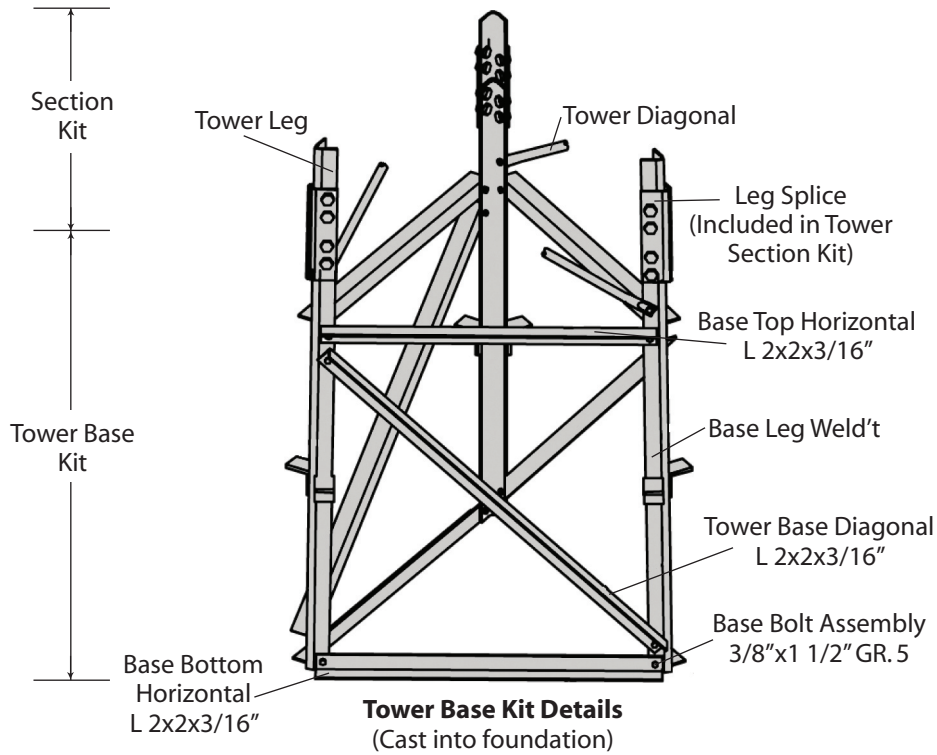
Base	RSLBA10
Top	RSLTA01
Weight	1808 lbs.
Fastest Mile [3-sec Gust]	E.P.A.
70 [85]	17
75 [90]	8
80 [100]	-
90 [110]	-
100 [120]	-

OPTIONAL ACCESSORIES

<p>Top Mount</p>	<p>RSLTM12 <i>Fits Towers:</i> RSL020L102 RSL030L103 RSL040L104 RSL050L105 RSL060L206 RSL070L107 RSL080L108 RSL080M209 RSL090L109 RSL090H210 RSL100S110</p>	<p>RSLTM34 <i>Fits Towers:</i> RSL020M304 RSL030M305 RSL040M306 RSL050M307 RSL060M308 RSL070M309 RSL070H410 RSL080H310</p> <p>RSLTM56 <i>Fits Towers:</i> RSL050H509 RSL060H510</p>																				
<p>Side Arm - RLSA</p>	<p>Dish Mount - RSLDM</p>																					
<p>Anti-Climb Panel RSLAC10</p>	<p>Step Bolt Kit Ordering Information</p> <table border="1"> <thead> <tr> <th>TOWER HEIGHT</th> <th>PART NUMBER</th> </tr> </thead> <tbody> <tr> <td>20'</td> <td>RSLSB20</td> </tr> <tr> <td>30'</td> <td>RSLSB30</td> </tr> <tr> <td>40'</td> <td>RSLSB40</td> </tr> <tr> <td>50'</td> <td>RSLSB50</td> </tr> <tr> <td>60'</td> <td>RSLSB60</td> </tr> <tr> <td>70'</td> <td>RSLSB70</td> </tr> <tr> <td>80'</td> <td>RSLST80</td> </tr> <tr> <td>90'</td> <td>RSLSB90</td> </tr> <tr> <td>100'</td> <td>RSLSB100</td> </tr> </tbody> </table>		TOWER HEIGHT	PART NUMBER	20'	RSLSB20	30'	RSLSB30	40'	RSLSB40	50'	RSLSB50	60'	RSLSB60	70'	RSLSB70	80'	RSLST80	90'	RSLSB90	100'	RSLSB100
TOWER HEIGHT	PART NUMBER																					
20'	RSLSB20																					
30'	RSLSB30																					
40'	RSLSB40																					
50'	RSLSB50																					
60'	RSLSB60																					
70'	RSLSB70																					
80'	RSLST80																					
90'	RSLSB90																					
100'	RSLSB100																					
		<p>Safety Cable Systems</p> <table border="1"> <thead> <tr> <th>Tower Height</th> <th>Part Number</th> </tr> </thead> <tbody> <tr> <td>20' - 50'</td> <td>RSL050TT</td> </tr> <tr> <td>60' - 100'</td> <td>RSL100TT</td> </tr> </tbody> </table>		Tower Height	Part Number	20' - 50'	RSL050TT	60' - 100'	RSL100TT													
Tower Height	Part Number																					
20' - 50'	RSL050TT																					
60' - 100'	RSL100TT																					

Grounding Kit shown on page 126.

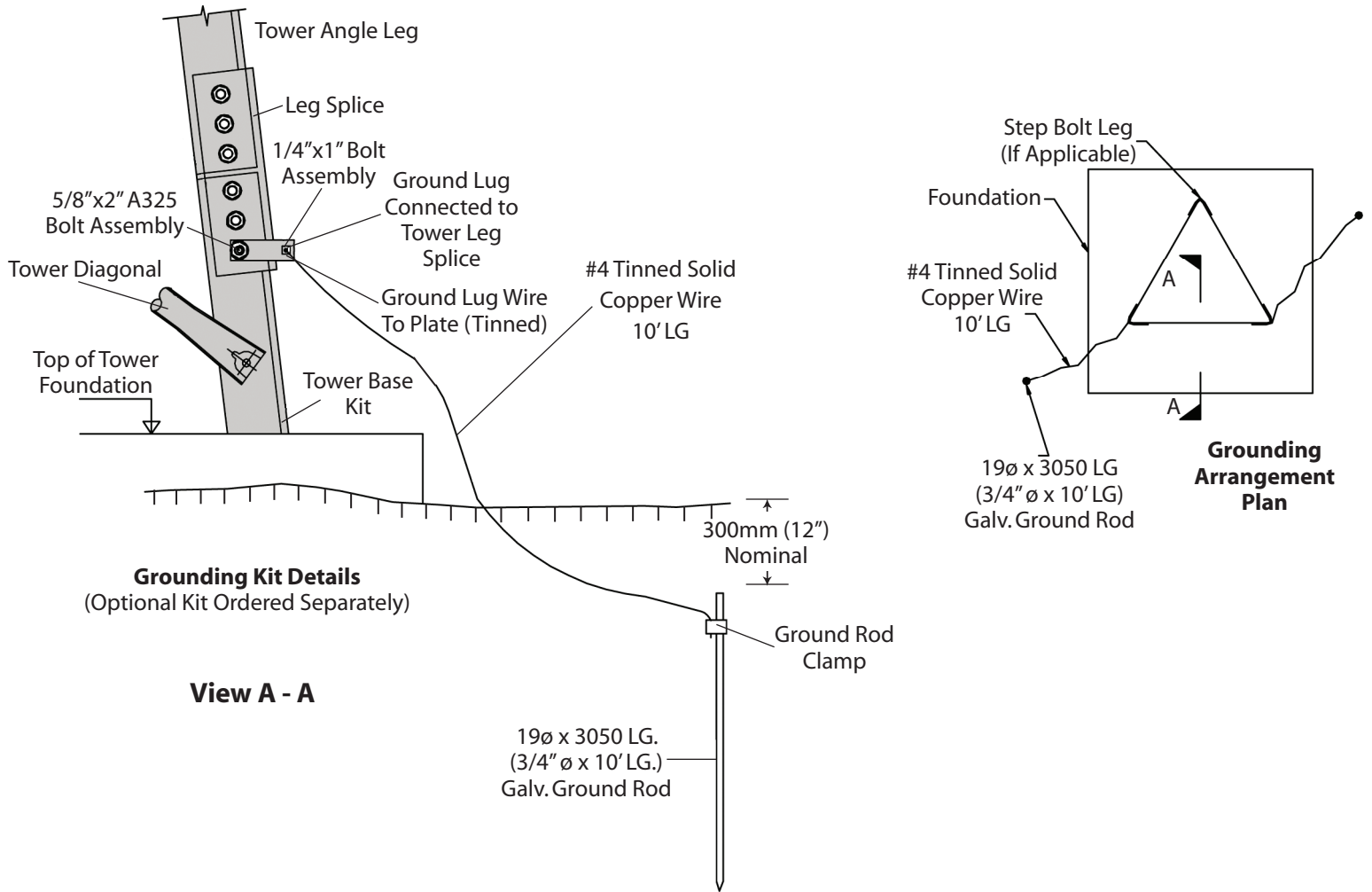
RSL BASE KIT INFORMATION



Tower Base Kit #	Total (lbs.)
RSLBA02 (Section RSL2)	126
RSLBA03 (Section RSL3)	132.5
RSLBA04 (Section RSL4)	136
RSLBA05 (Section RSL5)	142.5
RSLBA06 (Section RSL6)	149.5
RSLBA07 (Section RSL7)	161.5
RSLBA08 (Section RSL8)	166.5
RSLBA09 (Section RSL9)	173.5
RSLBA10 (Section RSL10)	185.5



RSL GROUNDING



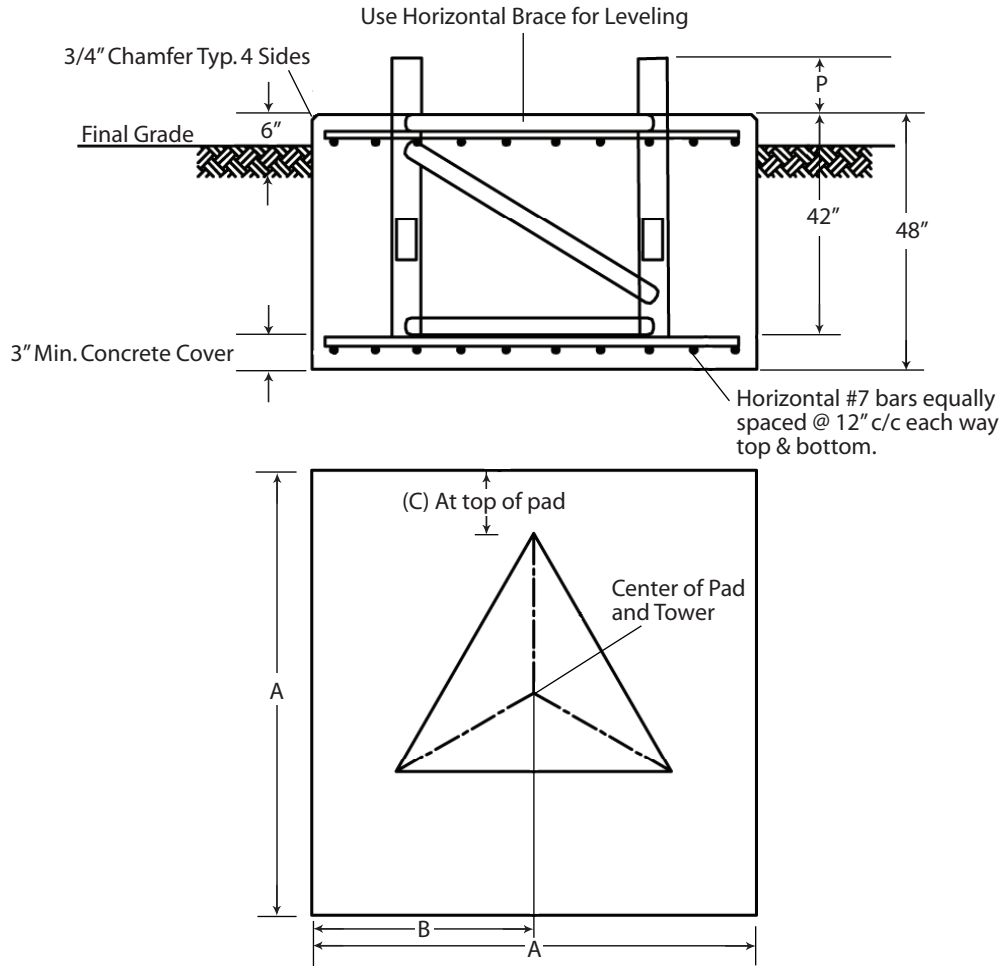
Grounding Kit Details
(Optional Kit Ordered Separately)

View A - A

Grounding Arrangement Plan

RSLGR Grounding Kit - Bill of Material	
Description	Qty.
Grounding Lug Galv. BAR .25x1.5" (A36)	2
3/4 DIA. Galv. GRD Rod (10')	2
GRD Clamp Wire to Galv. Rod	2
GRD Wire #4 Solid Copper Tinned (10')	2
GRD Clamp Wire to Plate (Tinned)	2
1/4"x1" Bolt Assembly	2
5/8"x2" Bolt Assembly (A325)	2
Lock Washer 5/8 (Spring) Galv.	2

RSL FOUNDATION INFORMATION



Stub Base Section No.	Dimensions (in.)				Concrete (Cu. Yds)	No. 7 Bars Req.	Max. Base Reactions	
	A	B	C	P			Overturning (KIP-FT)	Shear (KIPS)
RSLBA02	84	42	28	10-1/2	7.3	32	51	3.0
RSLBA03	90	45	29	12-1/2	8.3	32	57	3.0
RSLBA04	90	45	27	11-1/4	8.3	32	65	3.0
RSLBA05	96	48	28	11-1/2	9.5	36	71	3.0
RSLBA06	96	48	26	12	9.5	36	78	3.0
RSLBA07	108	54	30	13	12.0	40	114	4.0
RSLBA08	114	57	31	12-3/4	13.4	40	124	4.5
RSLBA09	120	60	32	13-1/2	14.8	44	171	5.0
RSLBA10	126	63	33	12-3/4	16.3	44	184	5.5



RSL DESIGN GENERAL NOTES

1. Tower designs conform to ANSI/TIA/EIA-222-F for the basic wind speeds indicated without ice. Tower designs also conform to the ANSI/TIA/EIA Standard for 1/2 inch radial ice load occurring simultaneously with 75% of the no ice design wind pressures. The appropriate design criteria for a site must be verified prior to installation.
2. Antennas and mounts are assumed to be symmetrically mounted at or below the top of the tower for determining overall reactions and member forces. Design assumes the weight of antennas and mounts do not exceed 300 lbs. Local stresses due to mounting arrangements for site-specific applications have not been considered and must be investigated by others on an individual site basis.
3. The allowable effective projected areas (EPA) indicated include the summation of the projected areas of antennas and mounts multiplied by their appropriate drag factors. The allowable effective projected areas are based on applications without the use of anti-climb panels. The use of anti-climb panels will reduce the allowable effective projected areas indicated. When 1/2 inch of radial ice is to be considered for an application, the additional EPA of the ice of antennas and mounts shall be included in the summation.
4. Design assumes maximum top mast load is limited to 5 sq. ft. EPA and 100 lbs. vertical load. All other loading is assumed to be mounted below the top mast.
5. Tower designs assume a 1/2 inch transmission line for each 10 square feet of EPA up to a maximum of three lines, one line per tower face.
6. Foundation designs are in accordance with ANSI/TIA/EIA-222-F, "Structural Standards for Steel Antenna Towers and Antenna Supporting Structures", section 7, for all "normal" soil conditions. "Normal" soil is defined as dry, cohesive soil with an allowable net vertical bearing capacity of 4000 PSF and an allowable net horizontal pressure of 400 PSF per linear foot of depth to a maximum of 4000 PSF.